



# F SERIES CUSHION TIRE LPG/GASOLINE FORKLIFT

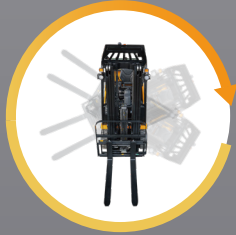
Capacity 2000 - 3200kg / 4000-6500lb

The F Series LPG/Gasoline is Young Forklift's second generation cushion tire forklift with latest innovation, featuring a short wheelbase design. It is compact in structure and precision-engineered for high-density and narrow warehouse applications.



# COMPACT DESIGN ★

It adopts the classic exterior design of the N series Young Forklift. With its compact structure and small flexible design, it enables precise operations within confined spaces.



# HIGH PERFORMANCE ★ ★

Implementation of a load-sensing steering system to further improve operational efficiency.



Integration of a high-angle cast steering axle to reduce the overall turning radius of the vehicle.



Equipped with standard SHIMADZU multi-way valves with load feedback, optionally equipped with OPS, ensuring reliable quality and stable performance.



# SUPERIOR ★ ★ ★ ERGONOMICS

Adoption of a suspended micro-motion braking mechanism and a submerged tilt cylinder layout to significantly increase foot space.

Incorporation of a large-radius structure for the overhead guard, expanding the driver's workspace.



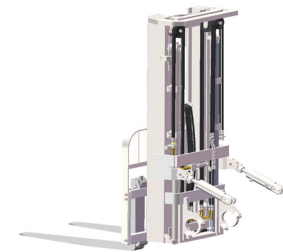
Equipped with a fully suspension seat to enhance comfort.



Multifunctional LCD instrument panel, offering comprehensive information display and real-time monitoring.

Equipped with a high-power certified GK25 or HMC 2.4L engine, delivering powerful performance.

Widening the gear transmission box to enhance durability and extend operational lifespan.



Utilizing the new narrow-groove steel mast to reduce the overall vehicle weight & enhance visibility.



Utilization of a small-diameter steering wheel, electro-hydraulic gearshift, and ratchet type hand-brake, greatly enhancing driving comfort.

## EASY ★★☆☆★ MAINTENANCE

**Increased hood opening angle** provides a more spacious working environment for inspection and maintenance tasks.



**Standard-equipped with swing down LPG tank bracket**, allowing for easy replacement of the fuel tank.

**Detachable left and right guard plates** for convenient maintenance.



**Easy check on transmission oil filter** from small cover on the foot plate.



## SAFETY & ★★☆☆★ RELIABILITY

Aluminum fin-type radiator improves heat dissipation, ensuring engine performance.

Optimization of key structural components such as the chassis, mast, overhead guard, and steering axle to enhance overall vehicle safety and reliability.



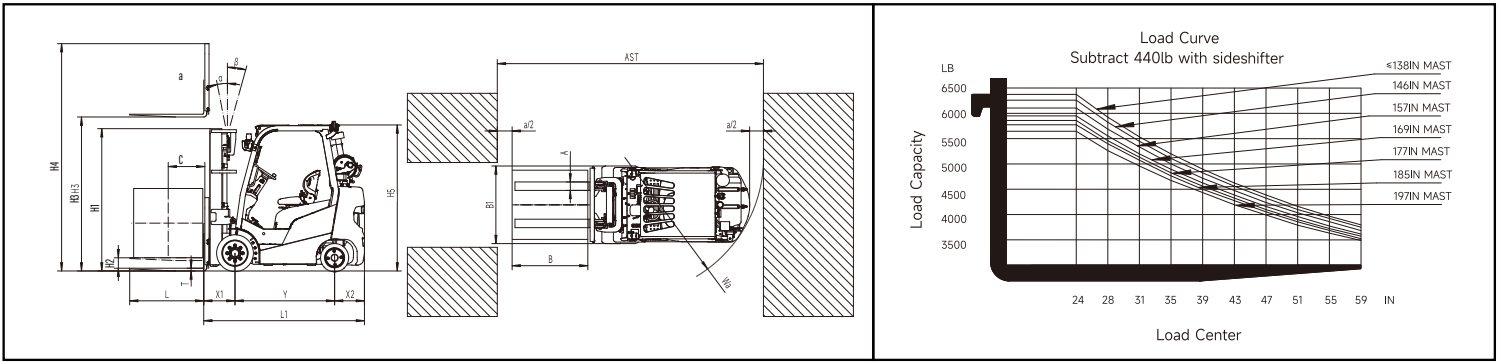
## ENERGY EFFICIENCY & ENVIRONMENTAL FRIENDLY ★★☆☆★

Implementation of an optimized hydraulic system underscores energy efficiency, reducing overall fuel consumption.

Engine emissions comply with the latest EPA/CARB regulations in the United States.







## MAIN SPECIFICATIONS

		YOUNG FORKLIFT																	
General	1	Manufacturer		FL20T-LNJX2				FL25T-LNJX2				FL30T-LNJX2				FL32T-LNJX2			
		Model		FL20T-LNJX2		FL25T-LNJX2		FL30T-LNJX2		FL32T-LNJX2		FL20T-LNJX3		FL25T-LNJX3		FL30T-LNJX3		FL32T-LNJX3	
Characteristic & Dimension	2	Power Type		LPG				LPG				DUAL							
		Rated Load Capacity		Q lb(kg)		4000(1814)		5000(2268)		6000(2722)		6500(2948)		4000(1814)		5000(2268)		6000(2722)	
Performance	3	Load Centre		C in(mm)				24(600)				24(600)							
		Rated Lift Height		H3 in(mm)				118(3000)				118(3000)							
Chassis	4	Free Lift Height		H2 in(mm)				4(100)				4(100)							
		Fork Size (LxWxT)		nm in(mm)				42X4,8X1,57(1070X122X40)				42X4,8X1,77(1070X122X45)							
Weight	5	Mast Tilt Angle (F/R, α °/β°)		deg				6°/8°				6°/8°							
		Fork Overhang (Wheel Center to Fork Face)		X1 in(mm)				17(435)				18(462.5)							
Power & Transmission	6	Rear Overhang		X2 in(mm)				14(361)				16(417)							
		Ground Clearance (Bottom of Mast)		H7 in(mm)				4(90)				4(90)							
Performance	7	Length to Face of Fork (Without Fork)		L1 in(mm)				88(2246)				91(2302)							
		Overall Width		B1 in(mm)				43(1080)				44(1121)							
Chassis	8	Mast Lowered Height		H1 in(mm)				80(2035)				83(2110)							
		Mast Extended Height (With Backrest)		H4 in(mm)				160(4076)				162(4110.5)							
Weight	9	Overhead Guard Height		H5 in(mm)				83(2120)				83(2120)							
		Turning Radius (Outside)		Wa in(mm)				221(1990)				221(1990)							
Power & Transmission	10	Min. Right Angle Stacking Aisle Width (Ast Load Length and Clearance)		Ast in(mm)				265(3125)				265(3125)							
		Travel Speed (No Load)		mph(km/h)				9.6(15.5)				9.6(15.5)							
Chassis	11	Lifting Speed (No Load/Full Load)		ft/min(m/s)				106/96(540/490)				106/96(540/490)							
		Lowering Speed (No Load/Full Load)		ft/min(m/s)				90/100(460/510)				90/100(460/510)							
Performance	12	Max. Drawbar Pull (Full Load/No Load)		N				18636				20351							
		Max. Gradeability (Full Load)		%				35.5%				39.3%							
Weight	13	Tyre (Front x 2)		mm				21x7-15				21x7-15							
		Tyre (Rear x 2)		mm				16x6x10.5				16x6x10.5							
Power & Transmission	14	Front Tread		B2 in(mm)				35.5(902)				36(918)							
		Rear Tread		B3 in(mm)				36(912.5)				36(912.5)							
Chassis	15	Wheelbase		Y in(mm)				57(1450)				57(1450)							
		Total Weight		lb(kg)				7531(3416)				8486(3849)							
Performance	16	Front Axle Weight Distribution (Full Load)		lb(kg)				11049(4558)				11798(5352)							
		Rear Axle Weight Distribution (Full Load)		lb(kg)				1450(658)				1688(766)							
Weight	17	Front Axle Weight Distribution (No Load)		lb(kg)				3248(1473)				3229(1465)							
		Rear Axle Weight Distribution (No Load)		lb(kg)				4283(1943)				5257(2385)							
Power & Transmission	18	Battery		V/Ah				12V / 60AH				12V / 60AH							
		Engine Model						HMC 2.4L T3 LPG				GK25 (CARB SIP LSI-EPA Tier2)							
Chassis	19	Engine Manufacturer						HYUNDAI				GCT							
		Rated Output / r.p.m.		hp(kw / r/min)				60.9(2600/45.4/2600)				61.4 / 2700(45.8 / 2700)							
Performance	20	Rated Torque / r.p.m.		N.m				178.9/2000				190 / 1600							
		No. of Cylinder						4				4							
Weight	21	Bore x Stroke		in(mm)				88X97(3.46X3.82)				89 x 100(3.5 x 3.94)							
		Displacement		cc				2359				2,488							
Power & Transmission	22	Fuel Tank Capacity		gal(L)				13(50)				11(42)							
		Transmission Type						Powershift				Powershift							
Chassis	23	Transmission Stage (FWD/RVS)						1/1				1/1							
		Operating Pressure (For Attachments)		PSI(Mpa)				2683(18.5)				2683(18.5)							

Specifications and characteristics are subject to change without notice.

## MAST SPECIFICATIONS & RATED CAPACITIES

Mast Type	Mast Name	Max. Fork Height (in/mm)	Load Capacity (Lb/Kg)								Overall Height (in/mm)				Free Lift (in/mm)				Tilt Angle	Total Weight (Lb/Kg)		
			Lowered			Extended					Without Backrest		With Bracket		Without Backrest		With Bracket			2.5t	3.0t	3.2t
			FL25/FGL25	FL30/FGL30	FL32/FGL32	Without Backrest		With Backrest			2.5t	3.0/3.2t	2.5t	3.0/3.2t	2.5t	3.0/3.2t	2.5t	3.0/3.2t				
						2.5t/3.0t/3.2t	2.5t	3.0/3.2t	2.5t	3.0/3.2t										2.5t	3.0/3.2t	
Wide View Mast	M250	98/2500	5512/2500	6614/3000	7055/3200	71/1805	123/3131	124/3141	139/3530	1402/3560	43/110	45/115	43/110	45/115	6-8	8404/3812	9557/4335	9557/4335				
	M300	118/3000	5512/2500	6614/3000	7011/3180	81/2055	143/3631	143/3641	159/4030	1598/4060	43/110	45/115	43/110	45/115	6-8	8486/3849	9636/4371	9636/4371				
	M330	130/3300	5467/2480	6526/2960	6834/3100	87/2205	155/3931	155/3941	170/4330	1717/4360	43/110	45/115	43/110	45/115	6-8	8534/3871	9685/4393	9685/4393				
	M350	138/3500	5379/2440	6415/2910	6724/3050	91/2305	163/4131	163/4141	178/4530	1795/4560	43/110	45/115	43/110	45/115	6-8	8565/3885	9718/4408	9718/4408				
	M370	146/3700	5291/2400	6305/2860	6614/3000	95/2405	171/4331	171/4341	186/4730	1874/4760	43/110	45/115	43/110	45/115	6-6	8598/3900	9751/4423	9751/4423				
	M400	157/4000	5159/2340	6151/2790	6437/2920	102/2605	182/4631	183/4641	198/5030	1992/5060	43/110	45/115	43/110	45/115	6-6	8761/3974	9914/4497	9914/4497				
	M430	169/4300	5004/2270	5997/2720	6261/2840	109/2755	194/4931	195/4941	210/5330	2110/5360	43/110	45/115	43/110	45/115	6-6	8810/3996	9963/4519	9963/4519				
	M450	177/4500	4916/2230	5886/2670	6173/2800	112/2855	202/5141	202/5141	218/5530	2189/5560	43/110	45/115	43/110	45/115	6-6	8845/4012	9996/4534	9996/4534				
	M470	185/4700	4850/2200	5798/2630	6063/2750	116/2955	210/5331	210/5341	226/5730	2268/5760	43/110	45/115	43/110	45/115	6-6	8885/4030	10035/4552	10035/4552				
	M500	197/5000	4740/2150	5666/2570	5930/2690	124/3155	222/5631	222/5641	237/6030	2386/6060	43/110	45/115	43/110	45/115	6-6	8935/4053	10086/4575	10086/4575				
3-Stage Full Free Wide View Mast	TFM400	157/4000	4938/2240	5974/2710	6217/2820	76/1925	182/4631	183/4641	198/5030	1992/5060	513/1304	508/1290	396/905	343/870	6-6	8869/4023	10020/4545	10020/4545				
	TFM430	169/4300	4828/2190	5842/2650	6063/2750	80/2025	194/4931	195/4941	210/5330	2110/5360	553/1404	547/1390	396/1005	382/970	6-6	8915/4044	10068/4567	10068/4567				
	TFM450	177/4500	4740/2150	5754/2610	5952/2700	84/2125	202/5131	202/5141	218/5530	2189/5560	592/1504	587/1490	435/1105	421/1070	6-6	8962/4065	10113/4587	10113/4587				
	TFM480	189/4800	4630/2100	5644/2560	5820/2640	88/2225	214/5431	214/5441	230/5830	2307/5860	631/1604	626/1590	474/1205	461/1170	6-6	9006/4085	10157/4607	10157/4607				
	TFM500	197/5000	4541/2060	5556/2520	5710/2590	90/2275	222/5631	222/5641	237/6030	2386/6060	651/1654	646/1640	494/1255	480/1220	6-6	9034/4098	10185/4620	10185/4620				
	TFM550	217/5500	4365/1980	3571/1620	4189/1900	97/2475	241/6131	242/6141	257/6530	2583/6560	730/1854	724/1840	573/1455	559/1420	3-6	9127/4140	10278/4662	10278/4662				
TFM600	236/6000	4145/1880	2381/1080	2822/1280	105/2675	261/6631	261/6641	277/7030	2780/7060	809/2054	803/2040	652/1655	638/1620	3-6	9288/4213	10441/4736	10441/4736					

NOTE: With side shifter, load capacity subtract 440Lb.



Rukan Great Wall C No.35  
Gondrong, Cipondoh,  
Kota Tangerang, Banten 15147  
Indonesia

☎ 021 5434 1490

